

NOTICE DE MONTAGE / INSTALLATION INSTRUCTIONS

 **M6x10**  
(x10)

 **M8x12**  
(x16)

 **M8**  
(x16)

 **M6**  
(x2)

 **M10x75**  
(x1)

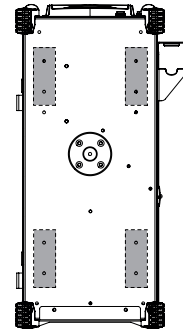
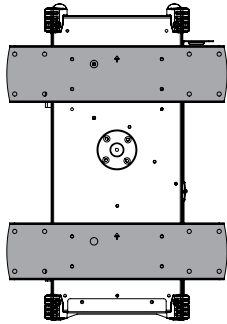
 **M6x12**  
(x8)

**ROLLERS (ref. 047020)**

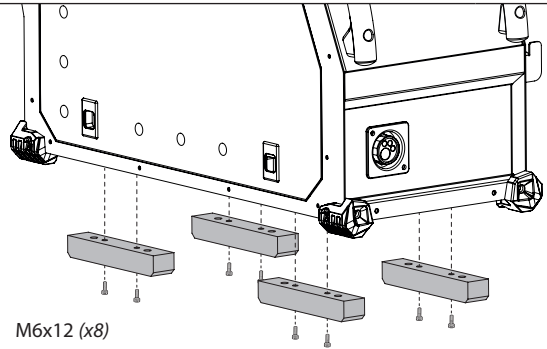
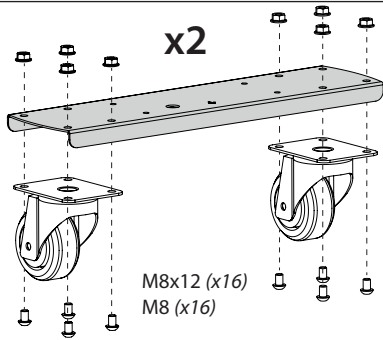
- ✓ NEOFEED
- ✓ EXAFEED
- ✓ GENFEED
- ✓ PULSFEEED

**SKI (ref. 047037)**

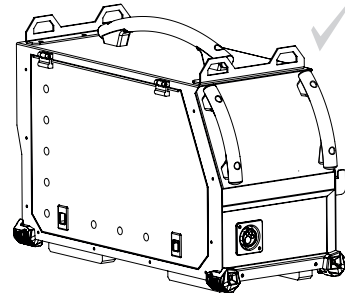
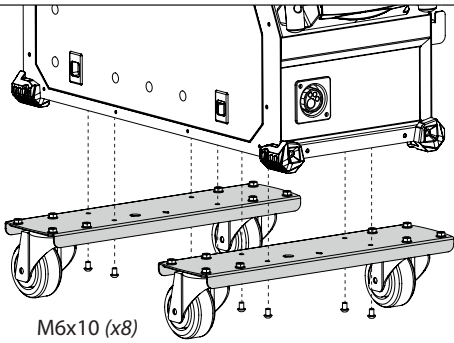
- ✓ NEOFEED
- ✓ EXAFEED
- ✓ GENFEED
- ✓ PULSFEEED



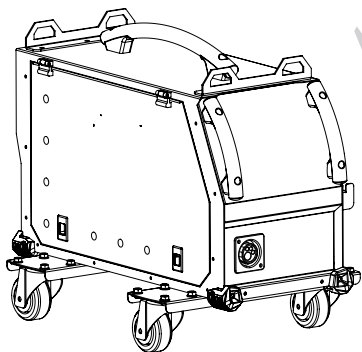
1



2



3



4

